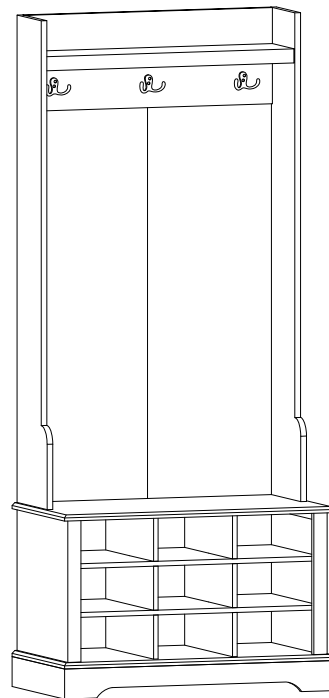


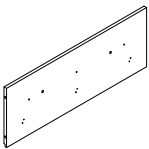
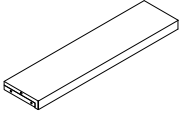
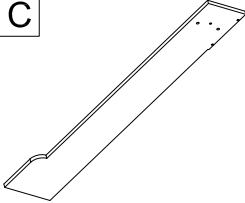
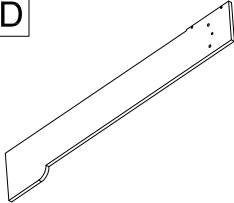
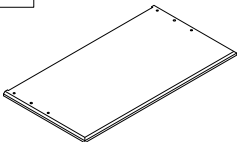
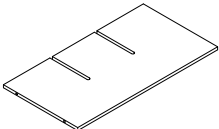
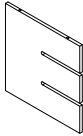
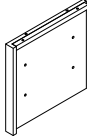
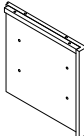
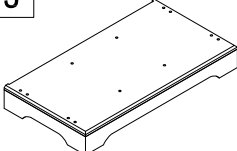
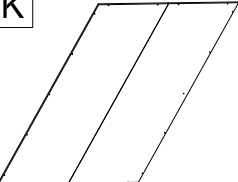
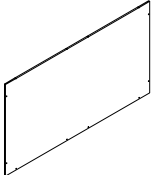


# Shoe Storage Hall Tree

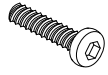



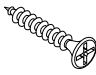

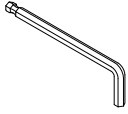

CF6032



# PART LIST

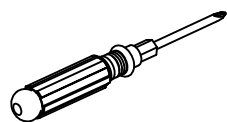
<p><b>A</b></p> 	<p><b>B</b></p> 	<p><b>C</b></p> 	<p><b>D</b></p> 	<p><b>E</b></p> 
<p>Upper Back Panel 1 PC</p>	<p>Shelf 1 PC</p>	<p>Upper Left Panel 1 PC</p>	<p>Upper Right Panel 1 PC</p>	<p>Seat Panel 1 PC</p>
<p><b>F</b></p> 	<p><b>G</b></p> 	<p><b>H</b></p> 	<p><b>I</b></p> 	<p><b>J</b></p> 
<p>Horizontal Panel 2 PCS</p>	<p>Vertical Panel 2 PCS</p>	<p>Lower Left Panel 1 PC</p>	<p>Lower Right Panel 1 PC</p>	<p>Base 1 PC</p>
<p><b>K</b></p> 	<p><b>L</b></p> 			
<p>Middle Back Panel 1 PC</p>	<p>Lower Back Panel 1 PC</p>			

# HARDWARE LIST

<p>#1</p>  <p>Φ1/4"*1"</p>	<p>#2</p>  <p>Φ8"*30mm</p>	<p>#3</p>  <p>Hook 3 PCS</p>	<p>#4</p>  <p>Φ3"*12mm</p> <p>Wood Screw 6 PCS (Extra 1)</p>	<p>#5</p>  <p>Φ4"*32mm</p> <p>Flat Head Screw 3 PCS</p>
<p>Bolt 16 PCS (Extra 2)</p>	<p>Wood Dowel 34 PCS (Extra 2)</p>	<p>Hook 3 PCS</p>	<p>Wood Screw 6 PCS (Extra 1)</p>	<p>Flat Head Screw 3 PCS</p>
<p>#6</p>  <p>Φ3"*15mm</p>	<p>#7</p>  <p>Allen Wrench 1 PC</p>	<p>#8</p>  <p>Safety Strap Kit 1 SET</p>		
<p>Round Head Screw 26 PCS (Extra 2)</p>	<p>Allen Wrench 1 PC</p>	<p>Safety Strap Kit 1 SET</p>		

## ADDITIONAL TOOLS (Not Provided)

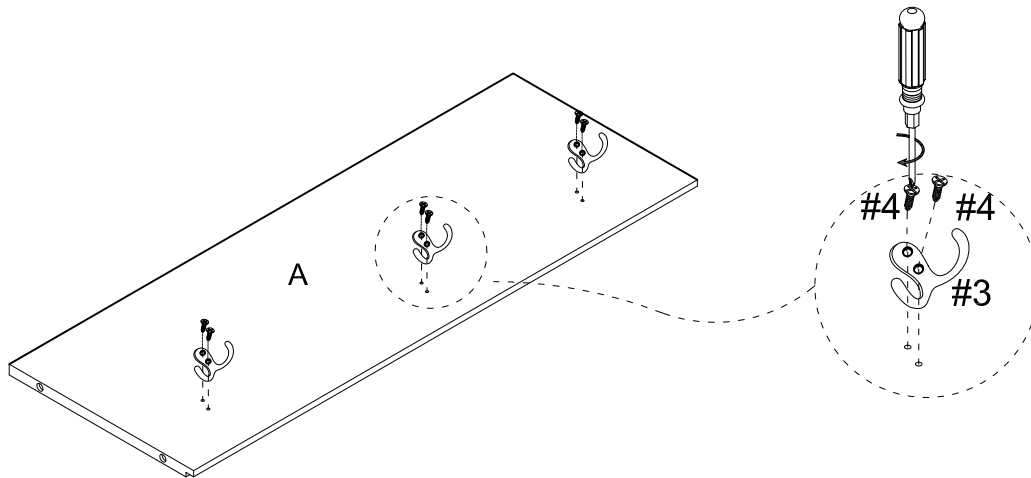
Note: It is not recommended to use power tools during assembly.





Phillips Head Screwdriver

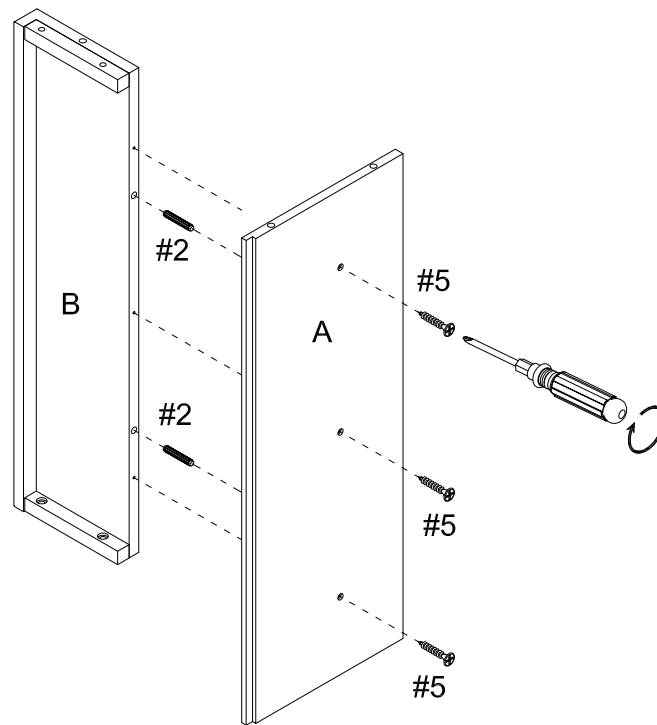
Note: Wood dowels are intended for alignment. Additional clearance between wood dowel and pre-drilled hole is intentional for ease of assembly.



Step 1. Attach hooks (part #3) to upper back panel (part A) using wood screws (part #4) and phillips head screwdriver.



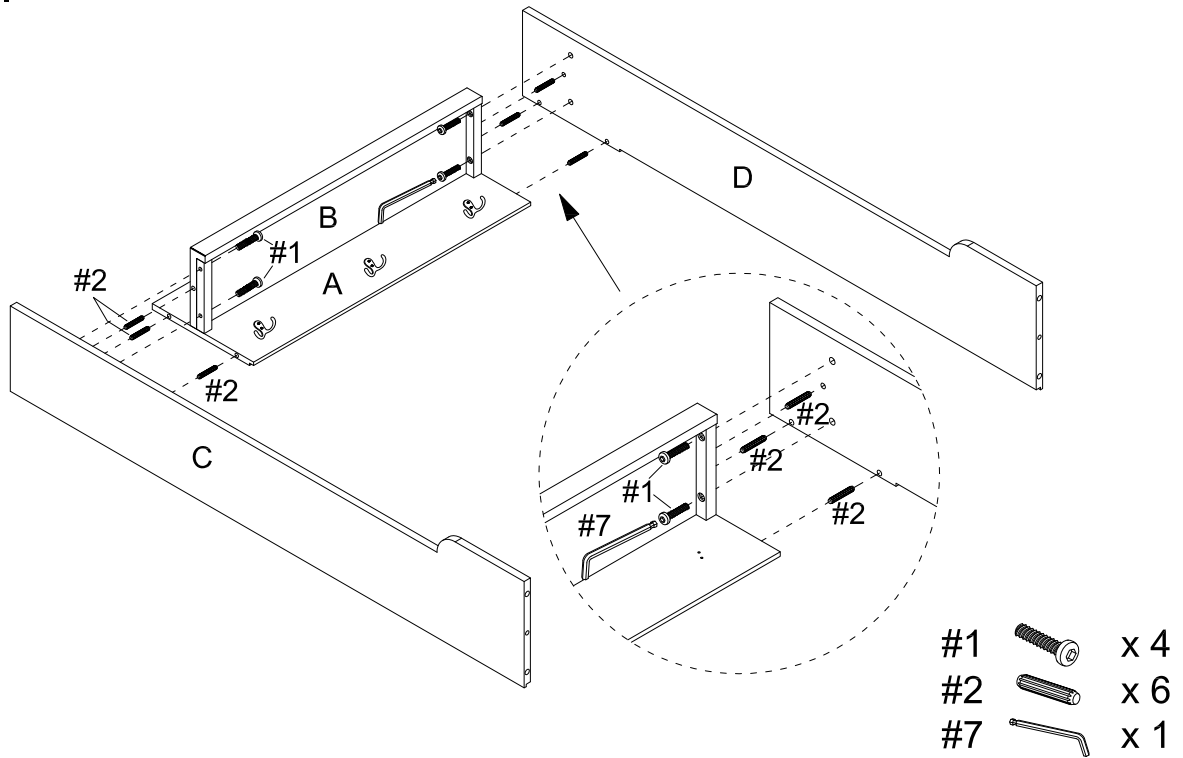
- #3  x 3
- #4  x 6

Step 2. Attach upper back panel (part A) to shelf (part B) using wood dowels (part #2), flat head screws (part #5) and phillips head screwdriver.

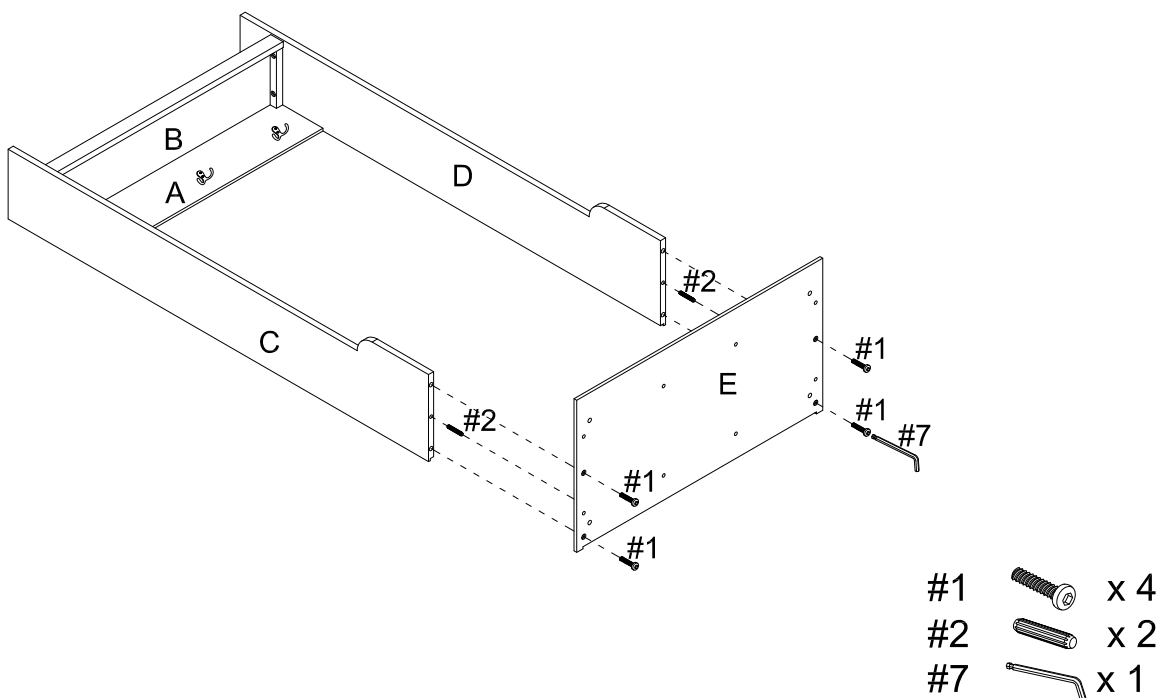


- #2  x 2
- #5  x 3

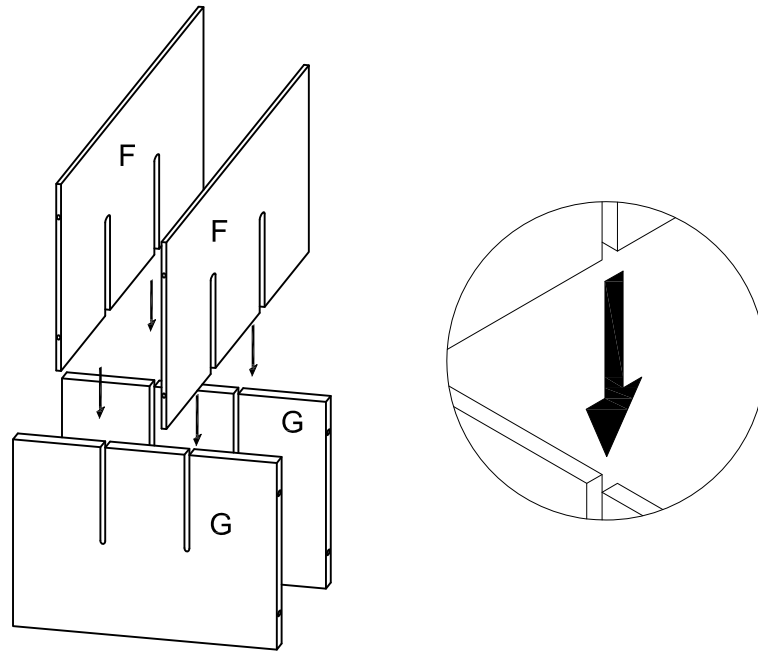
Step 3. Attach upper panels (parts C & D) to assembled unit (parts A & B) using wood dowels (part #2), bolts (part #1) and allen wrench (part #7).



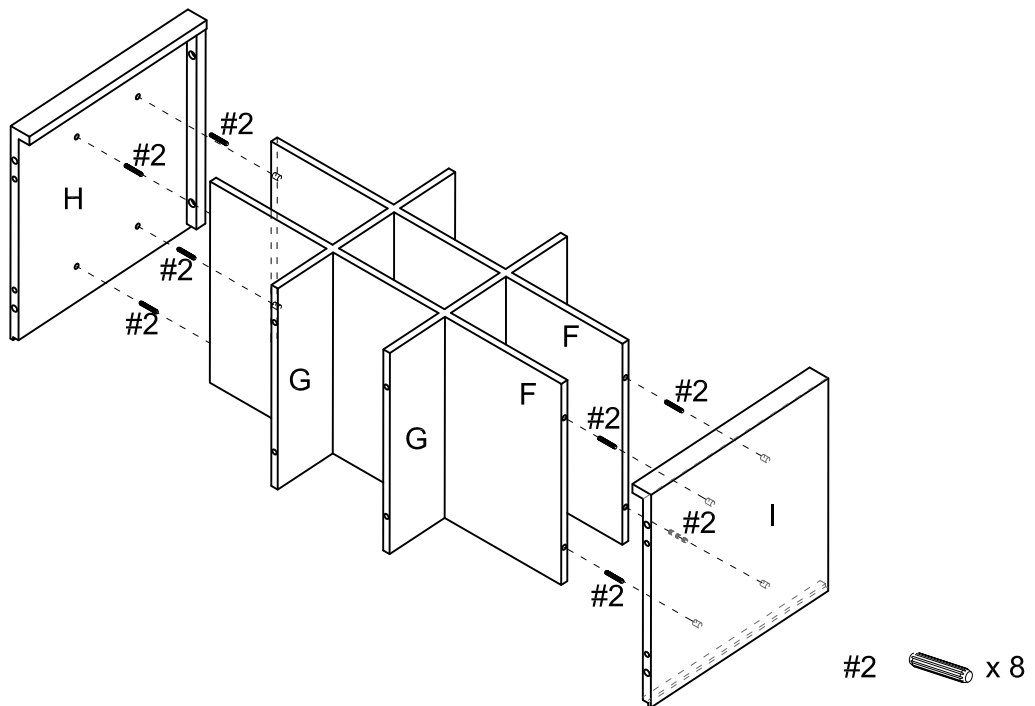
Step 4. Attach seat panel (part E) to upper panels (parts C & D) using wood dowels (part #2), bolts (part #1) and allen wrench (part #7).



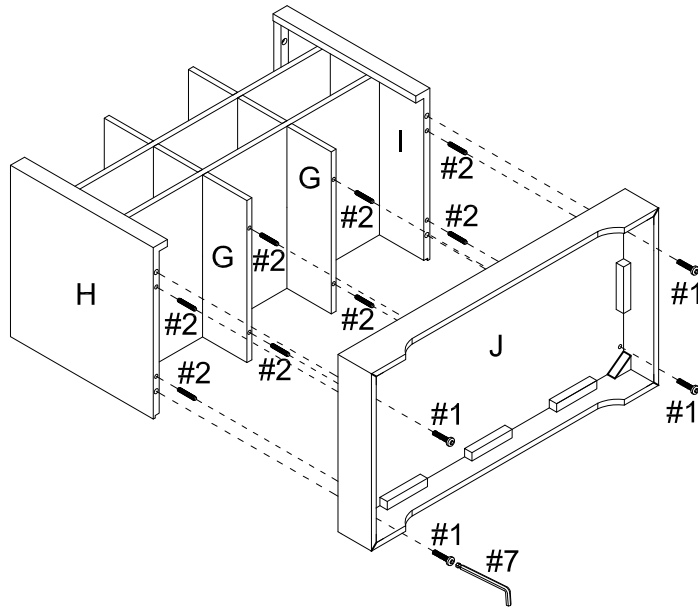
Step 5. Attach horizontal panels (part F) into vertical panels (part G) .






Step 6. Attach lower panels (parts H & I) to horizontal panels (part F) using wood dowels (part #2).

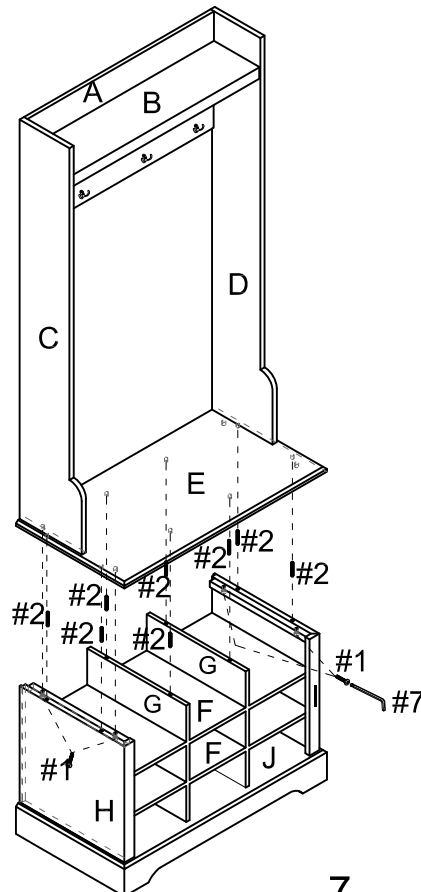




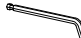
Step 7. Attach base (part J) to assembled unit (parts G, H & I) using wood dowels (part #2), bolts (part #1) and allen wrench (part #7).



- |    |  |     |
|----|--|-----|
| #1 |   | x 4 |
| #2 |   | x 8 |
| #7 |  | x 1 |

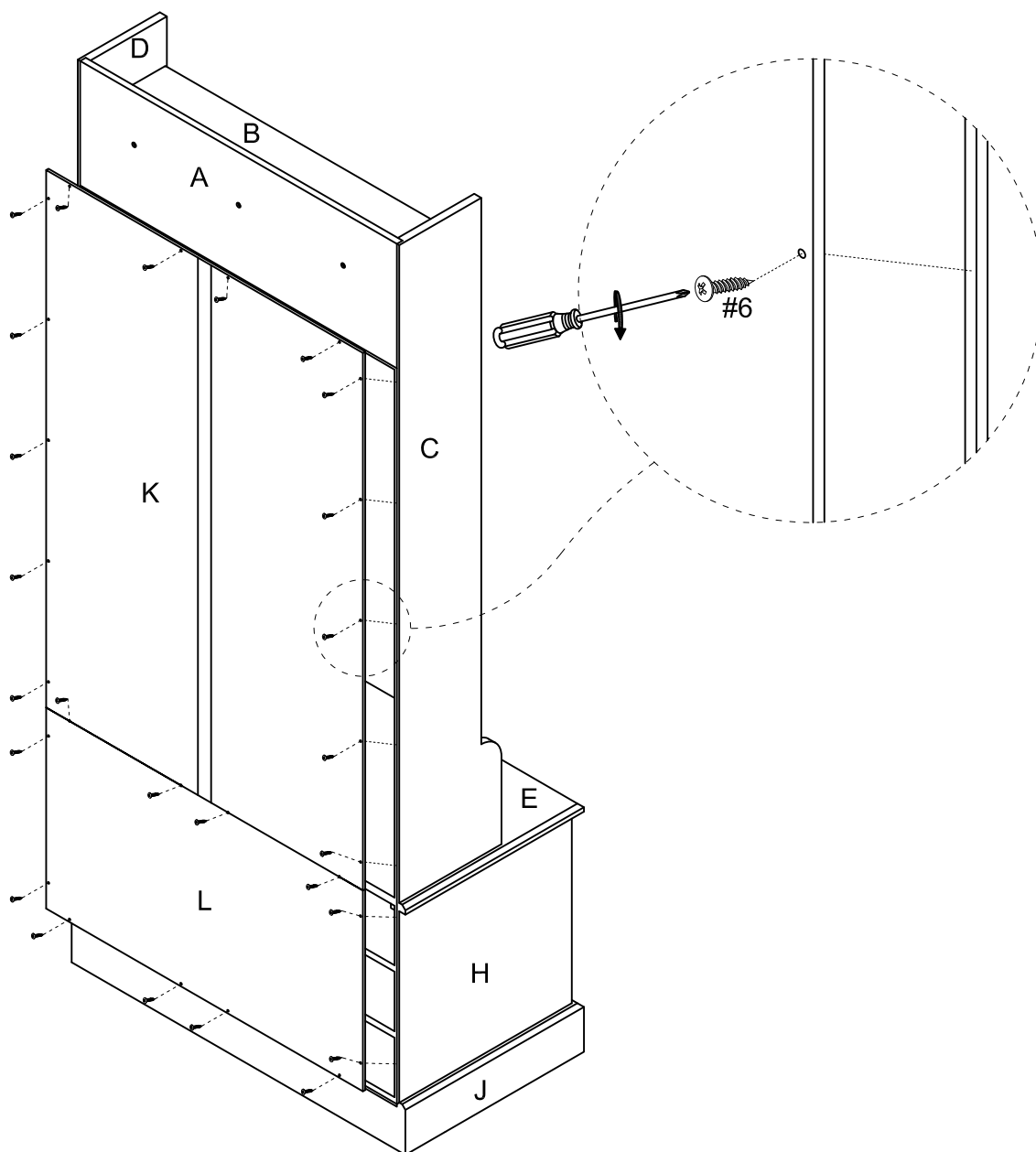
Step 8. Attach assembled unit (parts A, B, C, D & E) to assembled unit (parts F, G, H, I & J) using wood dowels (part #2), bolts (part #1) and allen wrench (part #7).



- |    |   |     |
|----|---|-----|
| #1 |  | x 4 |
| #2 |  | x 8 |
| #7 |  | x 1 |







Step 9. Attached back panels (part K & L) to assembled unit (parts A, C, D, E, H, I & J) using round head screws (part #6) and phillips head screwdriver.

Important: Safety strap kit (part #8) must be installed to prevent tipping, damage and /or injury.



#6  x 26



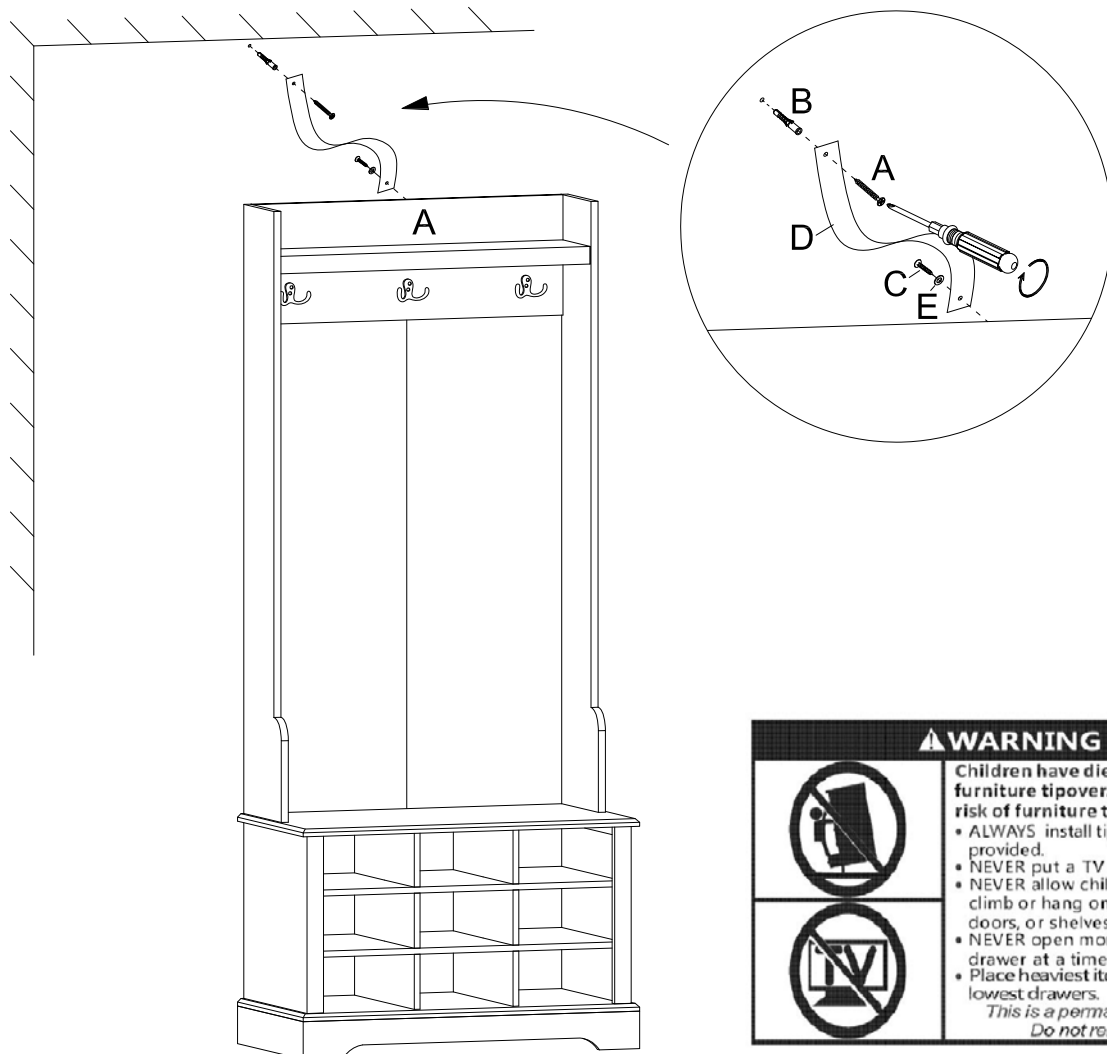
#8	A	B	C	D	E
					
Safety Strap Kit 1 SET	Long Screw 1 PC	Wall Anchor 1 PC	Short Screw 1 PC	Safety Wall Strap 1 PC	Flat Washer 1 PC

## SAFETY WALL STRAP INSTALLATION

Note: It is highly recommended to install this safety strap kit to prevent tipping, damage and/or injury.

1. Insert short screw (C) through flat washer (E) and safety wall strap (D) and attach to upper back panel (part A) using phillips head screwdriver.
2. Drill a 11/32" hole where you want to secure the unit. The drilled hole will be at the same height as the hole in upper back panel (part A) where safety wall strap (D) is attached. Tap wall anchor (B) into the hole.
3. Insert long screw (A) through safety wall strap (D) into wall anchor (B) using phillips head screwdriver.

Note: This item is not intended for clothing storage use.



<b>⚠ WARNING</b>	
 	<p>Children have died from furniture tipover. To reduce the risk of furniture tipover:</p> <ul style="list-style-type: none"> <li>• ALWAYS install tipover restraint provided.</li> <li>• NEVER put a TV on this product.</li> <li>• NEVER allow children to stand, climb or hang on drawers, doors, or shelves.</li> <li>• NEVER open more than one drawer at a time.</li> <li>• Place heaviest items in the lowest drawers.</li> </ul> <p><i>This is a permanent label. Do not remove!</i></p>